

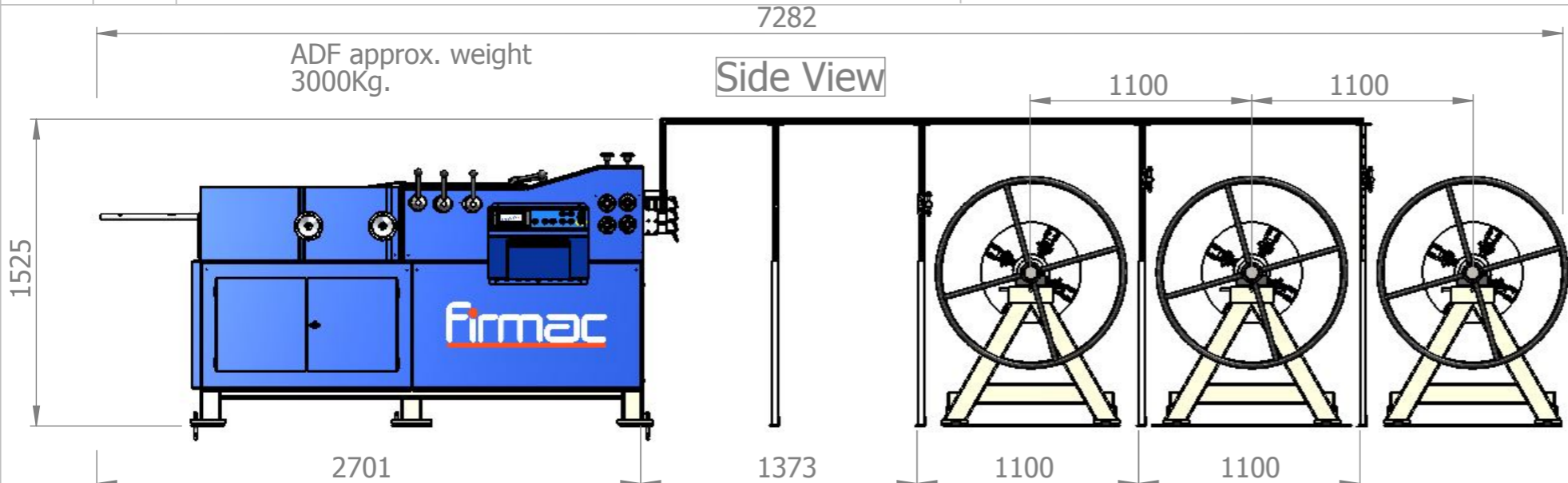
A3

DO NOT SCALE IF IN DOUBT ASK

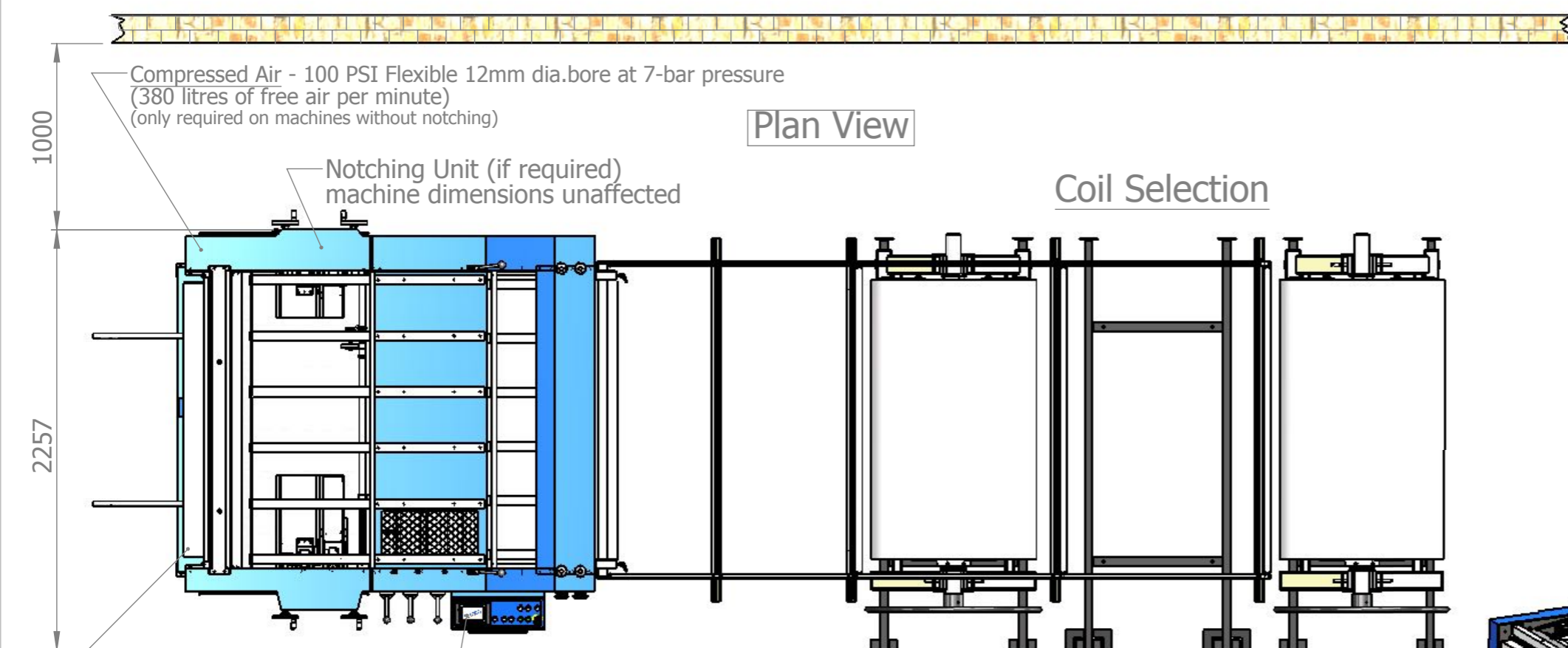
REMOVE ALL BURRS & SHARP EDGES  
ALL DIMENSIONS IN mm GENERAL TOLERANCE +/- 0.25mm UNLESS OTHERWISE STATED

FIRST ANGLE PROJECTION

Notes:



Approx. weight per coil holder = 350Kg (excluding weight of coil)



Compressed Air - 100 PSI Flexible 12mm dia.bore at 7-bar pressure (380 litres of free air per minute) (only required on machines without notching)

Notching Unit (if required) machine dimensions unaffected

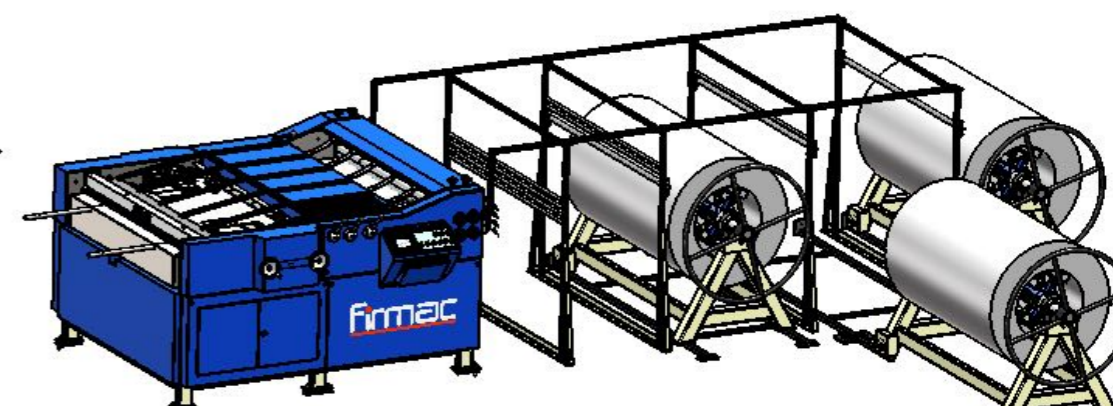
Electrical Supply In (380-420 ACV 50-60 Hz 3 Phase+Neutral+Earth (5 wire) rated 25 amps, 4mm cable)

Control Panel

Operator Side

ALLOW SUFFICIENT ACCESS FROM THIS SIDE TO LOAD/UNLOAD COILS.

2283



		QUANTITY:-	DATE :- 09/07/2010	M/C No
ELGE HOUSE, HOPPER HILL ROAD, EASTFIELD, SCARBOROUGH, NORTH YORKSHIRE, YO11 3YS Tele : 01723 502430 / Fax : 01723 502431		STOCK SIZE :-		
		HARDENING :-	DRAWN BY:- C.S	
		MATERIAL:-	WEIGHT 21487.31Kg.	SCALE :- 1:30
		FINISH:-	SHEET No: Sheet 1 of 1	
TITLE: 3 Coil R/H ADF Layout		DWG NO.		REVISION
				7810 PRE01